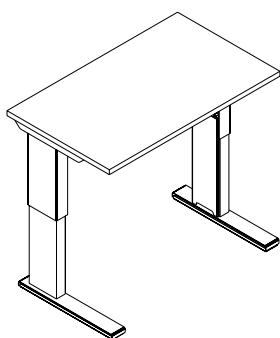




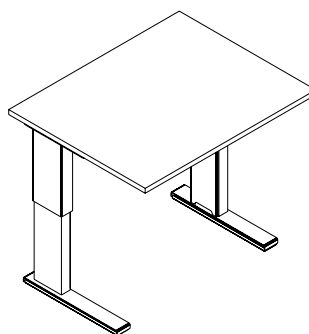
especificações técnicas

gerência e staff



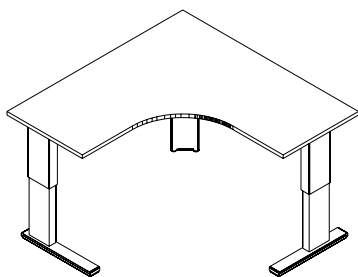
Mesa retangular

- SOL1060 - 1000x600x630/930
- SOL1260 - 1200x600x630/930
- SOL1460 - 1400x600x630/930
- SOL1660 - 1600x600x630/930



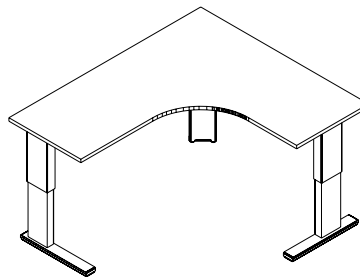
Mesa retangular

- SOL1080 - 1000x800x630/930
- SOL1280 - 1200x800x630/930
- SOL1480 - 1400x800x630/930
- SOL1680 - 1600x800x630/930



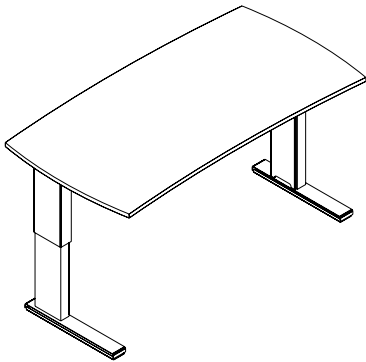
Mesa angular com medidas laterais simétricas

- SOL1212 - Dir.1200/600x1200/600x630/930
- SOL1213 - Esq.1200/600x1200/600x630/930
- SOL1414 - Dir.1400/600x1400/600x630/930
- SOL1415 - Esq.1400/600x1400/600x630/930
- SOL1616 - Dir.1600/600x1600/600x630/930
- SOL1617 - Esq.1600/600x1600/600x630/930



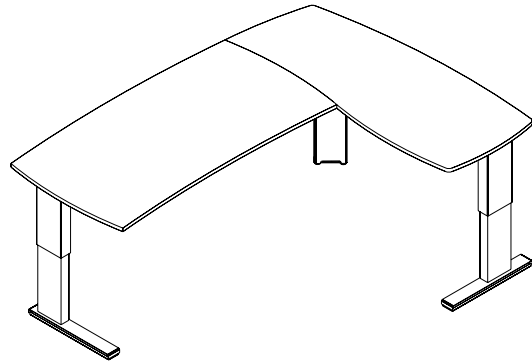
Mesa angular com medidas laterais divergentes

- SOL1412 - Dir.1400/600x1200/600x630/930
- SOL1214 - Esq.1200/600x1400/600x630/930
- SOL1612 - Dir.1600/600x1200/600x630/930
- SOL1216 - Esq.1200/600x1600/600x630/930
- SOL1614 - Dir.1600/600x1400/600x630/930
- SOL1416 - Esq.1400/600x1600/600x630/930



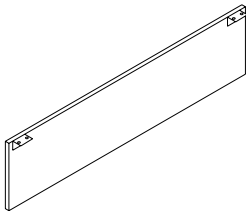
Mesa Gerente/atendente

SOL1681 - 1600x800x630/930
SOL1890 - 1800x900x630/930



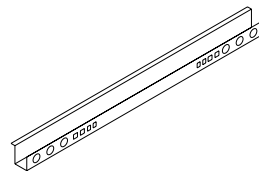
Mesa composta Gerente

SOL 2116 - Dir.2120x1630x630/930
SOL 1621 - Esq.1630x2120x630/930



Painel frontal

SOL 0650 - 650x296x18(retangular-1000)
SOL 0800 - 800x296x18(angular lado-1200)
SOL 0850 - 850x296x18(retangular-1200)
SOL 1000 - 1000x296x18(angular lado-1400)
SOL 1050 - 1050x296x18(retangular-1400)
SOL 1200 - 1200x296x18(SOL2116/1621lado-1630ang.L.1600)
SOL 1250 - 1250x296x18(ret.SOL1681-1600)
SOL 1450 - 1450x296x18(SOL1890-1800)
SOL 1700 - 1700x296x18(SOL2116/1621 lado 2120)



Calha

SOL 6506 - 650x90x60(retangular-1000)
SOL 8006 - 800x90x60(angular lado-1200)
SOL 8506 - 850x90x60(retangular-1200)
SOL 1006 - 1000x90x60(angular lado-1400)
SOL 1056 - 1050x90x60(retangular-1400)
SOL 1206 - 1200x90x60(SOL2116/1621lado-1630ang.L.1600)
SOL 1256 - 1250x90x60(ret.SOL1681-1600)
SOL 1456 - 1450x90x60(SOL1890-1800)
SOL 1706 - 1700x90x60(SOL2116/1621 lado 2120)

Opções de acabamentos para laminados

- Alumini
- Amêndoa
- Argila
- Branco
- Carvalho Prata
- Grafite
- Málaga
- Noce
- Preto
- Wengue

Opções de acabamentos para metais

- Alumínio
- Argila
- Branco
- Grafite
- Prata
- Preto

bortolini
— por escritórios melhores

www.bortolini.com.br | [f/BortoliniMoveis](https://www.facebook.com/BortoliniMoveis)
Bortolini Indústria de Móveis Ltda - RSC 453 - Km 90 - C. Postal 57 - 95720-000
(54) 3433.2500 - Garibaldi - RS - bortolini@bortolini.com.br